



SPECIFICATIONS:

Shall be a Model _____, electrically heated hydraulic tilting skillet. The unit shall have a spring assisted hinged stainless steel cover, complete with handle and no drip condensate guide. The pan body shall be front hinged for tilting and easy pour control. Formed from 10 gauge stainless steel with a 5/8" thick stainless steel clad cooking surface for even heat distribution over entire cooking surface. The pan shall be fitted with tubular heating elements clamped to the under side. The pan shall be mounted on a heavy duty welded angle constructed frame fitted with 6" (152mm) stainless steel legs with adjustable bullet feet on the front and flange feet on the rear for securing to the floor. Enclosed with #4 finished type 304 stainless steel with removable side panel and two stainless steel front cabinet doors.

All controls are mounted in the cabinet base which include temperature thermostat, temperature light, tilt switch, high limit thermostat and hydraulic lift system powered by a 1/2 HP electrical motor for smooth and precise tilting action. Cooking temperatures are between 100°F and 425°F (38°C and 218°C).

MODEL	CAPACITY	
BEMTS-30	30 Gallon	114 Liter
BEMTS-40	40 Gallon	152 Liter

OPERATION SHALL BE BY:

Electric heating elements equipped for operation on:

- 208 VAC, 1 Phase, 50/60 Hz
- 208 VAC, 3 Phase, 50/60 Hz
- 240 VAC, 1 Phase, 50/60 Hz
- 240 VAC, 3 Phase, 50/60 Hz

OPTIONAL ITEMS AT EXTRA COST:

- 220 VAC, 1 Phase, 50/60 Hz
- 220 VAC, 3 Phase, 50/60 Hz
- 220/380 VAC, 3 Phase, 50/60 Hz
- 240/415 VAC, 3 Phase, 50/60 Hz
- 480 VAC, 3 Phase, 50/60 Hz
- Solid state temperature controls
- Vented pan cover

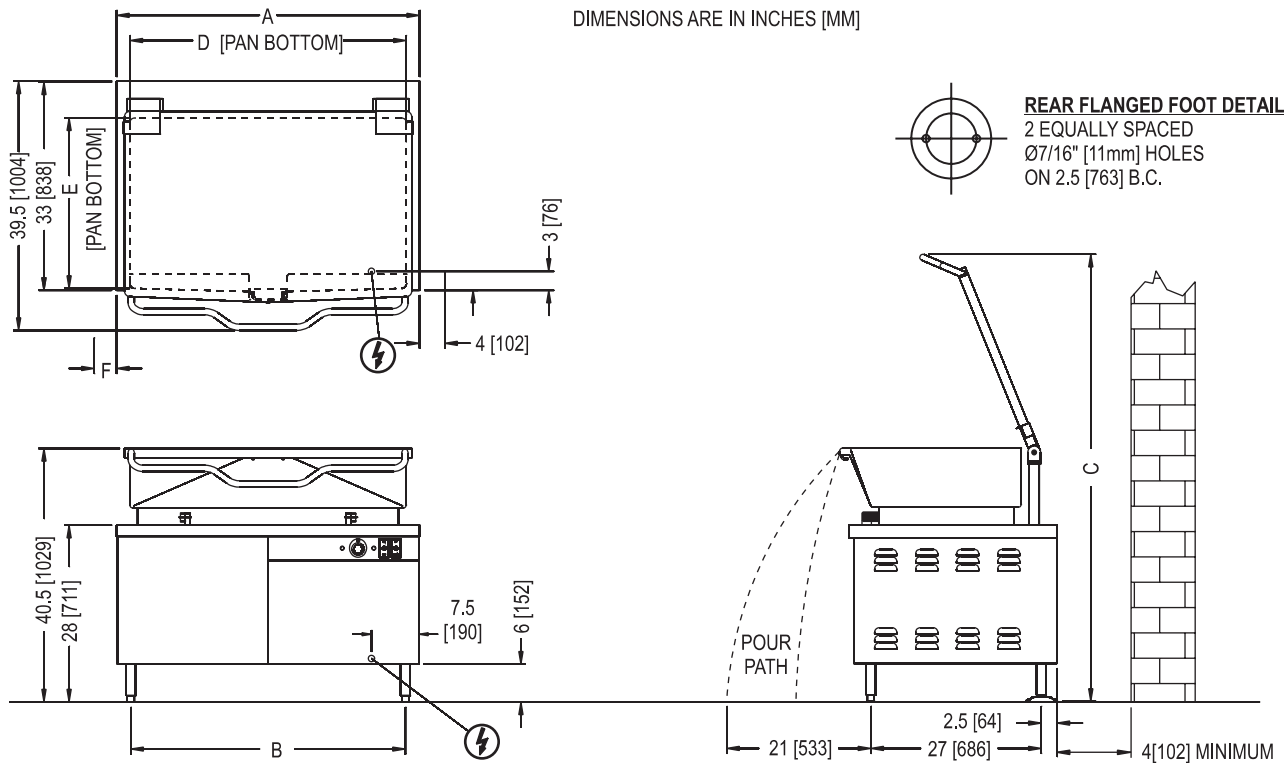
ACCESSORIES:

- Pan carrier
- Steam pan insert
- Double pantry faucet with swing spout
- Single pantry faucet with swing spout

Job _____
 Item# _____



Models: BEMTS-30 BEMTS-40



DIMENSIONS

MODEL	CAPACITY	UNITS	A	B	C	D	E
BEMTS-30	30 Gallons (114 liters)	inches (mm)	36.0" (914)	30.0" (762)	68.0" (1727)	33.5" (851)	24.0" (610)
BEMTS-40	40 Gallons (152 liters)	inches (mm)	48.0" (1219)	42.0" (1067)	68.0" (1727)	43.5" (1105)	24.0" (610)

ELECTRICAL CHARACTERISTICS

MODEL	PH	208V		220V		240V		380V		415V		480V	
		kW	AMP	kW	AMP	kW	AMP	kW	AMP	kW	AMP	kW	AMP
BEMTS-30	3	12	38.3	12	31.5	12	34.0	12	21.0	12	19.0	12	18.0
	1	12	62.7	12	54.6	12	55.0	--	--	--	--	--	--
BEMTS-40	3	15	41.7	15	39.4	15	36.1	15	22.8	15	20.8	15	18.0
	1	15	72.2	15	68.2	15	62.5	--	--	--	--	--	--

SERVICE CONNECTIONS

⚡ – ELECTRICAL CONNECTION: Specify 208, 220 or 240 volt, single or three phase, 60 Hz single phase with grounding wire.

**INTENDED FOR COMMERCIAL USE ONLY.
NOT FOR HOUSEHOLD USE.**



1100 Old Honeycutt Road, Fuquay-Varina, NC 27526
(919) 762-1000 www.southbendnc.com